



JDC (M12) Junction Blocks

6 Port, 4 Pin JDC Junction blocks

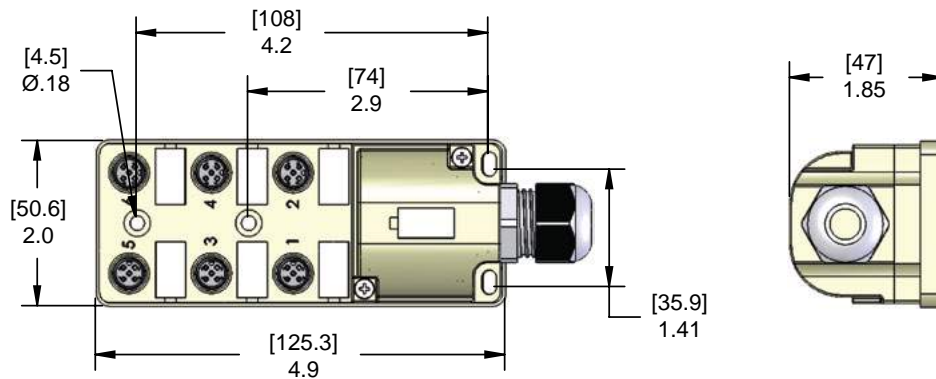


MIN Receptacle | MIN Plug | M23 Receptacle | IP67 Protection Rating



Trunk Style	UL Rating	Trunk Connection	Part Number		
			No LED	PNP	NPN
	N/A	MIN Size III 9 Pole Male Receptacle	JDC-640-009-M000	JDC-64P-209-M000	JDC-64N-209-M000
	N/A	M23 12 Pole Male Receptacle	JDC-640-012-V000	JDC-64P-212-V000	JDC-64N-212-V000
	N/A	MIN Size III 9 Pole Male Plug with Male Thread	JDC-640-009-M003	JDC-64P-209-M003	JDC-64N-209-M003
	N/A	MIN Size III 9 Pole Male Plug	JDC-640-009-M**	JDC-64P-209-M**	JDC-64N-209-M**

** Lengths in meters. Standard Cable lengths are 2m, 5m and 10m. Consult factory for other lengths.



Specifications:

- Ratings: 3 A per Connector
8 A per Block
- Voltage: Without LEDs: 0-150 Volt Max
With LEDs: 48 VDC Max in accordance with LED Configuration
- Body: Polypropylene
- Inserts: Polyamide
- Port Coupling Nuts: PBT
- O-Ring: BUNA-N
- LED Lens: Polycarbonate
- Contacts: Copper Alloy with Gold Plating
- Marker Tags: Polyamide (supplied on all units)

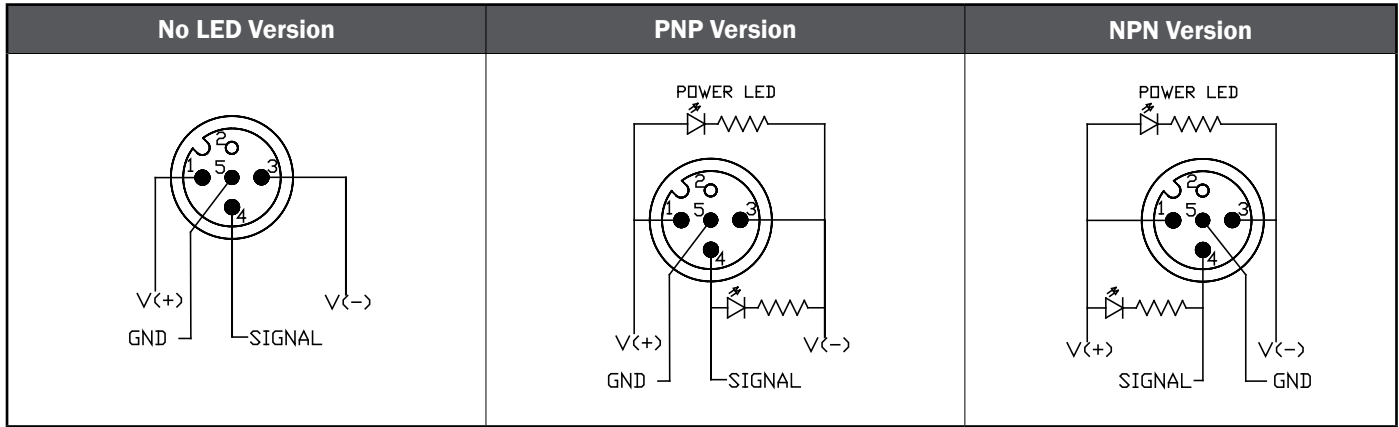


JDC (M12) Junction Blocks

6 Port, 4 Pin JDC Junction blocks



MIN Receptacle | MIN Plug | M23 Receptacle | IP67 Protection Rating



Function	MIN-9 Receptacles & Plug Version	12 PIN M23 Receptacles & Plug Version
Male Faceview	 1.125"-16UN2	 1.125"-16UN2
+ V	PIN #8	PIN #11
- V	PIN #9	PIN #9 & #10
Ground	PIN #7	PIN #12
PORT 1 PIN 4	PIN #1	PIN #1
PORT 2 PIN 4	PIN #2	PIN #2
PORT 3 PIN 4	PIN #3	PIN #3
PORT 4 PIN 4	PIN #4	PIN #4
PORT 5 PIN 4	PIN #5	PIN #5
PORT 6 PIN 4	PIN #6	PIN #6
Mating Plug for Receptacle or Plug	MIN-9FPX-*	MCV-12FP-**

* Length in feet. Standard Cable lengths are 3, 6, 12, 20, 30 & 50 feet. Consult factory for other lengths.

** Lengths in meters. Standard Cable lengths are 1, 2, 4, 5, 6, 10 & 15 meters. Consult factory for other lengths.

JDC Junction Blocks

Q